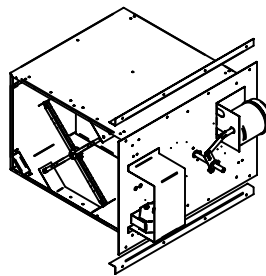
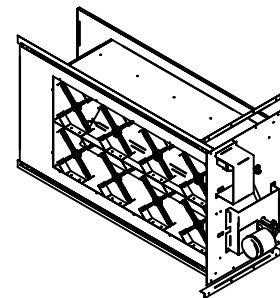


**SINGLE DAMPER**



**SINGLE DAMPER  
ZERO CLEARANCE\***



**DUAL-DAMPER**

NOTE: CUSTOM SIZES AND CONFIGURATIONS ALSO AVAILABLE

ALL METRIC DIMENSIONS ( ) ARE SOFT CONVERTED. IMPERIAL DIMENSIONS ARE CONVERTED TO METRIC AND ROUNDED TO THE NEAREST MILLIMETER.

PROJECT:		<b>price</b>
ENGINEER:		
CUSTOMER:		245423
SUBMITTAL DATE:		JUNE 2006
SPEC. SYMBOL:		<b>PNEUMATIC CONTROL PRESSURE INDEPENDENT</b>

	Dampers Size BxC (in)	Total CFM Range	Available Duct Sizes						L (in)	
			Width W (in)					Height H (in)		
			5	6	8	10	12			
SINGLE BLADE DAMPER	5x5	0 To 200	5	6	8	10	12	5	14 <sup>5/8</sup>	
	6x6	0 To 350	6	8	10	12	14	6	14 <sup>5/8</sup>	
	8x6	0 To 500	8	10	12	14	16	8	14 <sup>5/8</sup>	
	10x8	0 To 875	10	12	14	16	18	10	14 <sup>5/8</sup>	
	14x8	0 To 1250	14	16	18	20	22	14	14 <sup>5/8</sup>	
	18x6	0 To 1400	18	20	22	24	26	18	14 <sup>5/8</sup>	
	12x10	0 To 1300	12	14	16	18	20	12	14 <sup>5/8</sup>	
	18x10	0 To 2400	18	20	22	24	26	18	14 <sup>5/8</sup>	
	18x12	0 To 3100	18	20	22	24	26	18	18 <sup>5/8</sup>	
	20x14	0 To 4250	20	22	24	26	28	20	18 <sup>5/8</sup>	
	30x12	0 To 6350	30	32	34	36	38	30	18 <sup>5/8</sup>	
	22x16	0 To 5150	22	24	26	28	30	22	20 <sup>5/8</sup>	
DUAL BLADE DAMPER	24x18	0 To 6000	24	26	28	30	32	24	14 <sup>5/8</sup>	
	30x20	0 To 9000	30	32	34	36	38	30	14 <sup>5/8</sup>	
	40x20	0 To 13500	40	42	44	46	48	40	14 <sup>5/8</sup>	

	Dampers Size BxC (mm)	Total L/s Range	Available Duct Sizes						Height H (mm)	L (mm)
			Width W (mm)							
			127	152	203	254	305			
SINGLE BLADE DAMPER	127x127	0 To 94	127	152	203	254	305	127	371	
	152x152	0 To 165	152	203	254	305	356	152	371	
	203x152	0 To 236	203	254	305	356	406	203	371	
	254x203	0 To 413	254	305	356	406	457	254	371	
	356x203	0 To 590	356	406	457	508	559	356	371	
	457x152	0 To 661	457	508	559	610	660	457	371	
	305x254	0 To 614	305	356	406	457	508	305	371	
	457x254	0 To 1133	457	508	559	610	660	457	371	
	457x305	0 To 1463	457	508	559	610	660	457	473	
	508x356	0 To 2006	508	559	610	660	711	508	473	
	762x305	0 To 2997	762	813	864	914	965	762	473	
	559x406	0 To 2431	559	610	660	711	762	559	524	
DUAL BLADE DAMPER	610x457	0 To 2832	610	660	711	762	813	610	371	
	762x508	0 To 4248	762	813	864	914	965	762	371	
	1016x508	0 To 6371	1016	1067	1118	1168	1219	1016	371	

**CONSTRUCTION:**

- HOUSING 22 GA. ZINC COATED STEEL CONSTRUCTION.
- CONTROL PANEL FABRICATED FROM 20 GA. ZINC COATED STEEL.
- UNIT IS SUPPLIED WITH TWO MOUNTING ANGLES MADE FROM 20 GA. ZINC COATED STEEL.

**NOTES:**

H = DUCT HEIGHT (INCHES)  
 W = DUCT WIDTH (INCHES)  
 BxC = DAMPER SIZE  
 DUCT OPENING BY OTHERS = H x L + 1/2" (38)  
 \*MODELS WHERE B = W OR C = H ARE ZERO CLEARANCE


**SRPV8000 FEATURES:**

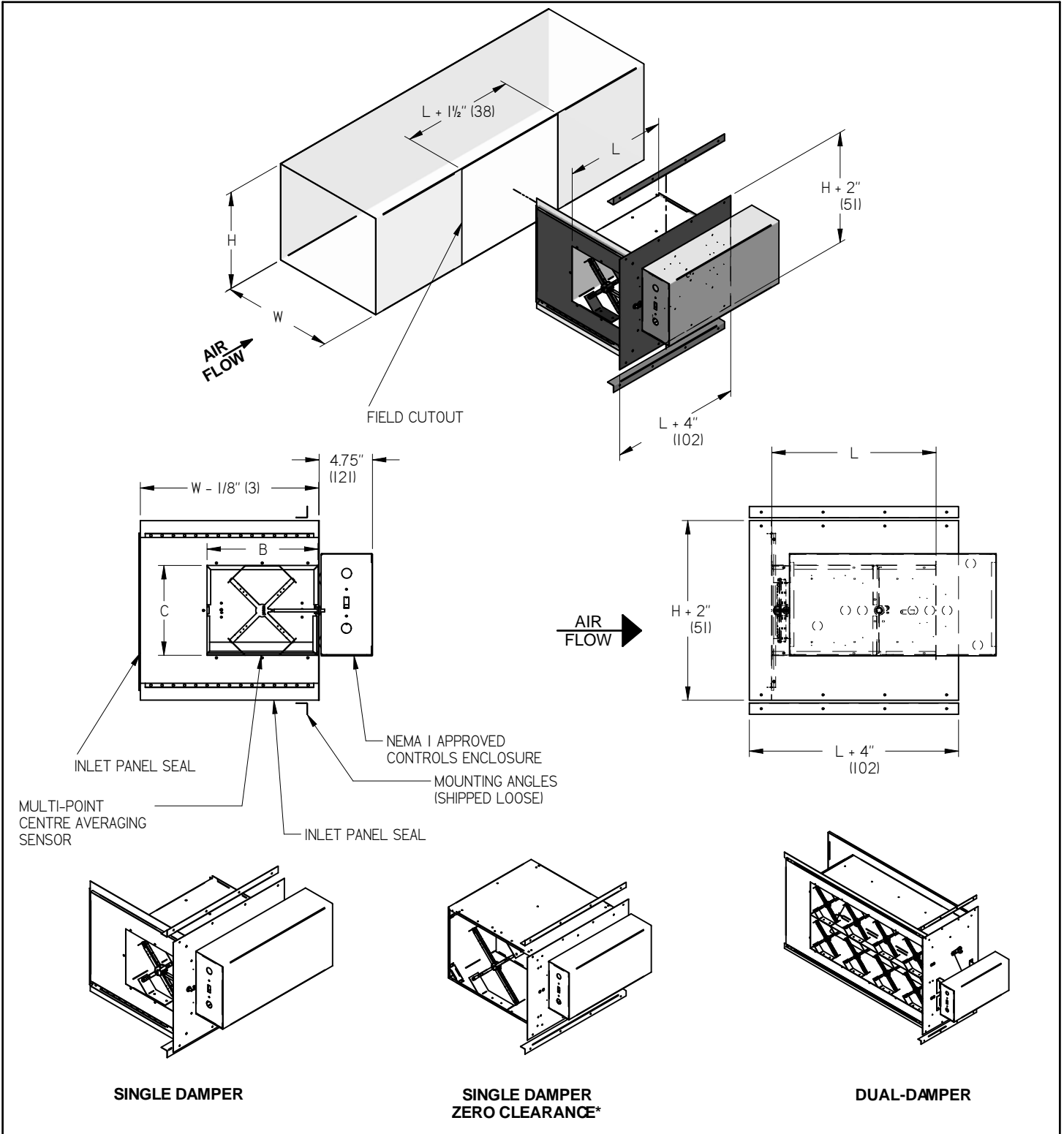
- FLOW IS FULLY PRESSURE INDEPENDENT.
- CONTROLS PANEL ON RIGHT (AS SHOWN) AND UNITS ARE REVERSIBLE FOR LH CONFIGURATIONS.
- MULTI-POINT SENSOR c/w GAUGE TAPS SUPPLIED BY PRICE.
- PNEUMATIC ACTUATOR SUPPLIED & MOUNTED BY PRICE.
- CLEAN, DRY, 20 PSI (138 kPa) CONTROL AIR REQUIRED.

**OPTIONS:**

- OTHER PNEUMATIC ACTUATORS SUPPLIED & MOUNTED BY PRICE.
- PNEUMATIC ACTUATOR SUPPLIED BY CONTROL CONTRACTOR & MOUNTED BY PRICE.
- PROTECTIVE CONTROLLER COVER

ALL METRIC DIMENSIONS ( ) ARE SOFT CONVERTED. IMPERIAL DIMENSIONS ARE CONVERTED TO METRIC AND ROUNDED TO THE NEAREST MILLIMETER.

PROJECT:		
ENGINEER:		
CUSTOMER:		245423
SUBMITTAL DATE:		JUNE 2006
SPEC. SYMBOL:		<b>SRPV8000</b> <b>SLIDE-IN RETROFIT UNIT</b> <b>PNEUMATIC CONTROL</b> <b>PRESSURE INDEPENDENT</b>



NOTE: CUSTOM SIZES AND CONFIGURATIONS ALSO AVAILABLE

ALL METRIC DIMENSIONS ( ) ARE SOFT CONVERTED. IMPERIAL DIMENSIONS ARE CONVERTED TO METRIC AND ROUNDED TO THE NEAREST MILLIMETER.

PROJECT:		<b>PRICE</b>	SRDV8000 SLIDE-IN RETROFIT UNIT
ENGINEER:			
CUSTOMER:		245424	PRICE DIGITAL CONTROLS
SUBMITTAL DATE:	SPEC. SYMBOL:	2011/04/18	

	Dampers Size BxC (in)	Total CFM Range	Available Duct Sizes						L (in)		Dampers Size BxC (mm)	Total L/s Range	Available Duct Sizes						Height H (mm)	L (mm)						
			Width W (in)										Height H (in)	Width W (mm)												
			5	6	8	10	12	14						127	152	203	254	305			356					
SINGLE BLADE DAMPER	5x5	0 To 200	5	6	8	10	12	5	14 <sup>5/8</sup>	127x127	0 To 94	127	152	203	254	305	127	371								
	6x6	0 To 350	6	8	10	12	14	6	14 <sup>5/8</sup>	152x152	0 To 165	152	203	254	305	356	152	371								
	8x6	0 To 500	8	10	12	14	16	8	14 <sup>5/8</sup>	203x152	0 To 236	203	254	305	356	406	152	371								
	10x8	0 To 875	10	12	14	16	18	10	14 <sup>5/8</sup>	254x203	0 To 413	254	305	356	406	457	203	371								
	14x8	0 To 1250	14	16	18	20	22	24	14	14 <sup>5/8</sup>	356x203	0 To 590	356	406	457	508	559	610	203	371						
	18x6	0 To 1400	18	20	22	24	26	18	14 <sup>5/8</sup>	457x152	0 To 661	457	508	559	610	660	152	371								
	12x10	0 To 1300	12	14	16	18	20	22	24	12	14 <sup>5/8</sup>	305x254	0 To 614	305	356	406	457	508	559	610	254	371				
	18x10	0 To 2400	18	20	22	24	26	28	30	18	14 <sup>5/8</sup>	457x254	0 To 1133	457	508	559	610	660	711	762	254	371				
	18x12	0 To 3100	18	20	22	24	26	28	18	18 <sup>5/8</sup>	457x305	0 To 1463	457	508	559	610	660	711	305	473						
	20x14	0 To 4250	20	22	24	26	28	30	20	18 <sup>5/8</sup>	508x356	0 To 2006	508	559	610	660	711	762	356	473						
DUAL BLADE DAMPER	30x12	0 To 6350	30	32	34	36	30	18 <sup>5/8</sup>	762x305	0 To 2997	762	813	864	914	305	473										
	22x16	0 To 5150	22	24	26	28	30	32	34	36	16	20 <sup>5/8</sup>	559x406	0 To 2431	559	610	660	711	762	813	864	914	406	524		
	24x18	0 To 6000	24	26	28	30	32	34	36	18	14 <sup>5/8</sup>	610x457	0 To 2832	610	660	711	762	813	864	914	457	371				
	30x20	0 To 9000	30	32	34	36	38	40	42	44	46	20	14 <sup>5/8</sup>	762x508	0 To 4248	762	813	864	914	965	1016	1067	1118	1168	508	371
	40x20	0 To 13500	40	42	44	46	48	50	52	24	14 <sup>5/8</sup>	1016x508	0 To 6371	1016	1067	1118	1168	1219	1270	1321	508	371				

**CONSTRUCTION:**

- HOUSING 22 GA. ZINC COATED STEEL CONSTRUCTION.
- CONTROL PANEL FABRICATED FROM 20 GA. ZINC COATED STEEL.
- UNIT IS SUPPLIED WITH TWO MOUNTING ANGLES MADE FROM 20 GA. ZINC COATED STEEL.
- LINE VOLTAGE MUST NOT EXCEED 277V AC.

**SRDV8000 FEATURES:**

- FLOW IS FULLY PRESSURE INDEPENDENT.
- CONTROLS PANEL ON RIGHT (AS SHOWN) AND UNITS ARE ALSO REVERSIBLE FOR LH CONFIGURATIONS.
- MULTI-POINT SENSOR SUPPLIED BY PRICE
- PRICE DIGITAL CONTROLS FACTORY MOUNTED.
- PRICE THERMOSTAT FIELD MOUNTED


**NOTES:**

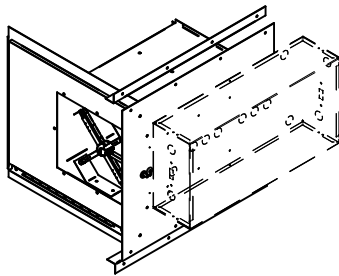
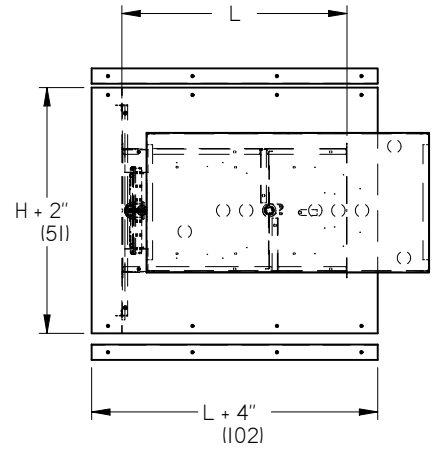
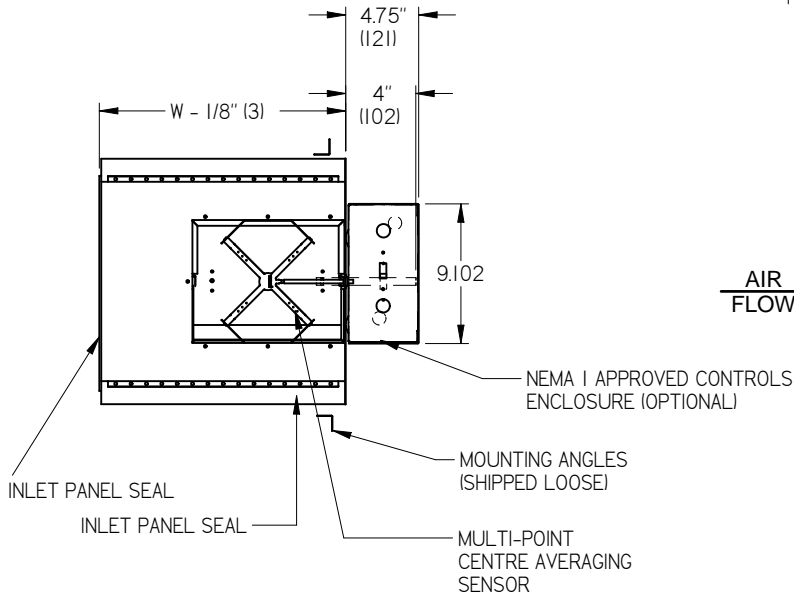
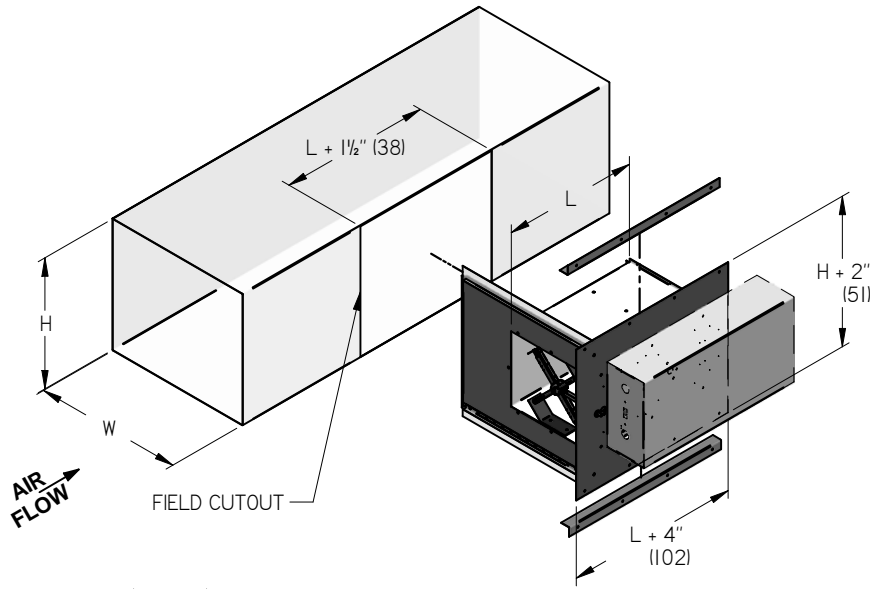
H = DUCT HEIGHT (INCHES)  
 W = DUCT WIDTH (INCHES)  
 BxC = DAMPER SIZE  
 DUCT OPENING BY OTHERS = H x L + 1 1/2" (38)  
 \*MODELS WHERE B = W OR C = H ARE ZERO CLEARANCE

**OPTIONS:**

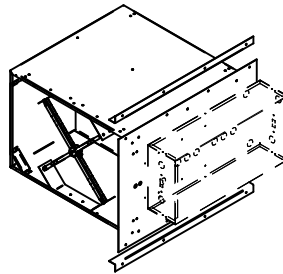
- DISCONNECT SWITCH

ALL METRIC DIMENSIONS ( ) ARE SOFT CONVERTED. IMPERIAL DIMENSIONS ARE CONVERTED TO METRIC AND ROUNDED TO THE NEAREST MILLIMETER.

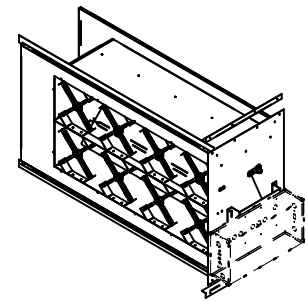
PROJECT:		 <b>SRDV8000</b> <b>SLIDE-IN RETROFIT UNIT</b>  <b>PRICE DIGITAL CONTROLS</b>
ENGINEER:		
CUSTOMER:		
SUBMITTAL DATE:	SPEC. SYMBOL:	
		<b>86</b> 245424 2011/04/18



**SINGLE DAMPER**



**SINGLE DAMPER ZERO CLEARANCE\***



**DUAL-DAMPER**

NOTE: CUSTOM SIZES AND CONFIGURATIONS ALSO AVAILABLE

ALL METRIC DIMENSIONS ( ) ARE SOFT CONVERTED. IMPERIAL DIMENSIONS ARE CONVERTED TO METRIC AND ROUNDED TO THE NEAREST MILLIMETER.

PROJECT:		<b>PRICE</b>
ENGINEER:		
CUSTOMER:		<b>86</b>
SUBMITTAL DATE:		SRDV5000 SLIDE-IN RETROFIT UNIT
SPEC. SYMBOL:		245425
		2011/04/18
		<b>DIGITAL CONTROL</b>

	Dampers Size BxC (in)	Total CFM Range	Available Duct Sizes					L (in)		Dampers Size BxC (mm)	Total L/s Range	Available Duct Sizes					Height H (mm)	L (mm)								
			Width W (in)									Height H (in)	Width W (mm)													
SINGLE BLADE DAMPER	5x5	0 To 200	5	6	8	10	12	5	14 <sup>5/8</sup>	127x127	0 To 94	127	152	203	254	305	127	371								
	6x6	0 To 350	6	8	10	12	14	6	14 <sup>5/8</sup>	152x152	0 To 165	152	203	254	305	356	152	371								
	8x6	0 To 500	8	10	12	14	16	8	14 <sup>5/8</sup>	203x152	0 To 236	203	254	305	356	406	152	371								
	8x8	0 To 675	8	10	12	14	16	18	8	14 <sup>5/8</sup>	203x203	0 To 307	203	254	305	356	406	457	203	371						
	10x8	0 To 875	10	12	14	16	18	10	14 <sup>5/8</sup>	254x203	0 To 413	254	305	356	406	457	203	371								
	14x8	0 To 1250	14	16	18	20	22	24	14	14 <sup>5/8</sup>	356x203	0 To 590	356	406	457	508	559	610	203	371						
	18x6	0 To 1400	18	20	22	24	26	18	14 <sup>5/8</sup>	457x152	0 To 661	457	508	559	610	660	152	371								
	12x10	0 To 1300	12	14	16	18	20	22	24	12	14 <sup>5/8</sup>	305x254	0 To 614	305	356	406	457	508	559	610	254	371				
	18x10	0 To 2400	18	20	22	24	26	28	30	18	14 <sup>5/8</sup>	457x254	0 To 1133	457	508	559	610	660	711	762	254	371				
	18x12	0 To 3100	18	20	22	24	26	28	18	18 <sup>5/8</sup>	457x305	0 To 1463	457	508	559	610	660	711	305	473						
DUAL BLADE DAMPER	20x14	0 To 4250	20	22	24	26	28	30	20	18 <sup>5/8</sup>	508x356	0 To 2006	508	559	610	660	711	762	356	473						
	30x12	0 To 6350	30	32	34	36	30	18 <sup>5/8</sup>	762x305	0 To 2997	762	813	864	914	305	473										
	22x16	0 To 5150	22	24	26	28	30	32	34	36	22	20 <sup>5/8</sup>	559x406	0 To 2431	559	610	660	711	762	813	864	914	406	524		
	24x18	0 To 6000	24	26	28	30	32	34	36	24	14 <sup>5/8</sup>	610x457	0 To 2832	610	660	711	762	813	864	914	457	371				
	30x20	0 To 9000	30	32	34	36	38	40	42	44	46	24	14 <sup>5/8</sup>	762x508	0 To 4248	762	813	864	914	965	1016	1067	1118	1168	508	371
	40x20	0 To 13500	40	42	44	46	48	50	52	24	14 <sup>5/8</sup>	1016x508	0 To 6371	1016	1067	1118	1168	1219	1270	1321	508	371				

**CONSTRUCTION:**

- HOUSING 22 GA. ZINC COATED STEEL CONSTRUCTION.
- CONTROL PANEL FABRICATED FROM 20 GA. ZINC COATED STEEL.
- UNIT IS SUPPLIED WITH TWO MOUNTING ANGLES MADE FROM 20 GA. ZINC COATED STEEL.

**NOTES:**

H = DUCT HEIGHT (INCHES)  
 W = DUCT WIDTH (INCHES)  
 BxC = DAMPER SIZE  
 DUCT OPENING BY OTHERS = H x L + 1 1/2" (38)  
 \*MODELS WHERE B = W OR C = H ARE ZERO CLEARANCE


**SRDV5000 FEATURES:**

- FLOW IS FULLY PRESSURE INDEPENDENT.
- CONTROLS PANEL ON RIGHT (AS SHOWN) AND UNITS ARE ALSO REVERSIBLE FOR LH CONFIGURATIONS.
- CONTROLS FIELD MOUNTED, SUPPLIED BY OTHERS.
- MULTI-POINT SENSOR SUPPLIED BY PRICE

**OPTIONS:**

- NEMA 1 CONTROLS ENCLOSURE
- DISCONNECT SWITCH
- GT - BRASS AIRFLOW SENSOR GAUGE TAPS

ALL METRIC DIMENSIONS ( ) ARE SOFT CONVERTED. IMPERIAL DIMENSIONS ARE CONVERTED TO METRIC AND ROUNDED TO THE NEAREST MILLIMETER.

PROJECT:		 <b>SRDV5000</b> <b>SLIDE-IN RETROFIT UNIT</b>  <b>DIGITAL CONTROL</b>
ENGINEER:		
CUSTOMER:		
SUBMITTAL DATE:	SPEC. SYMBOL:	